

UNIVERSAL FAT5PA

The kit 'plus 40m update' contain all parts for use on any of the three bands....160m, 80m or 40m.

[Use for 40m](#)

The kit contains two sets of C10, C11, C12 and C13 and for the 40m version these are 47pF and rated at 1kW. All the other components are used to make up the kit.

[Use for 160m / 80m \(kit with 40m update\)](#)

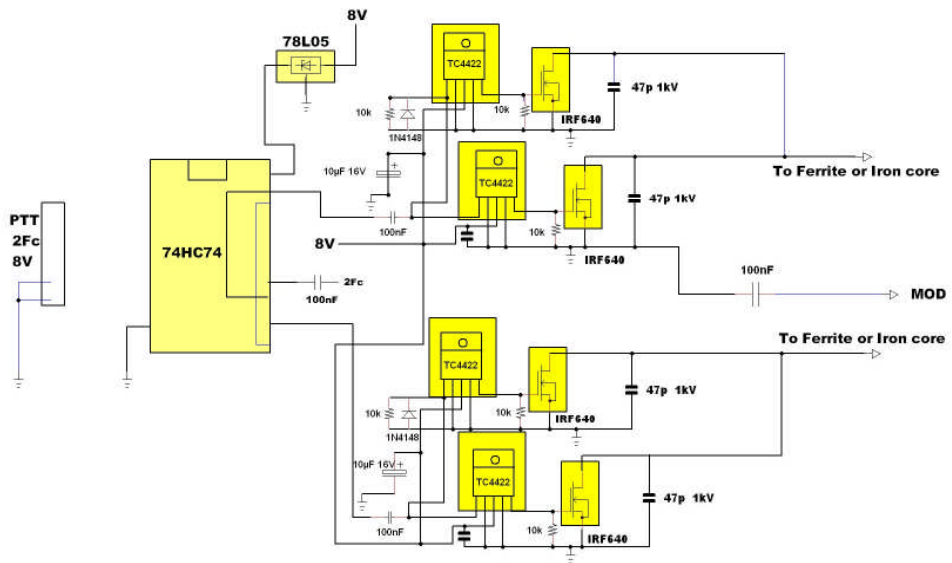
To use on any of these two bands, the capacitors C10 to C13 (yellow highlight on picking list) are the ones to use and are 470pF, 1kW. All other components can be left as for the 40m version **OR** two of the TC4422s (U1 and U3) can be removed along with R1, R2, R4, R5, C1 and C8. **ALSO**, links have to be placed on the GATE of Q1 and Q2, the left hand side of the board along with a similar link joining the GATES of Q3 and Q4. This is done so that one driver (TC4422) on each side drives two FETs.

If a 160m / 80m version only of the kit is ordered these components will be left out as they are not required hence reducing the cost. The LINKS will have to be done by you!

[Component fitment](#)

When fitting the components to the board, please be sure to solder both sides when ground connections are used. These will be on resistors and diodes and two of the pins on the TC4422s along with the SOURCE pins on the FETs (IRF640). I have placed soldered rivets at two of the ground places but these other component connections are also required.

[The schematic](#)



Main PA input Voltage = 30V

Approx 14.9V @ 4A unmodulated using a Linear Modulator

Approx 12V This equates to 30V X 0.4 With PWM set for 40%

40m 100W PA